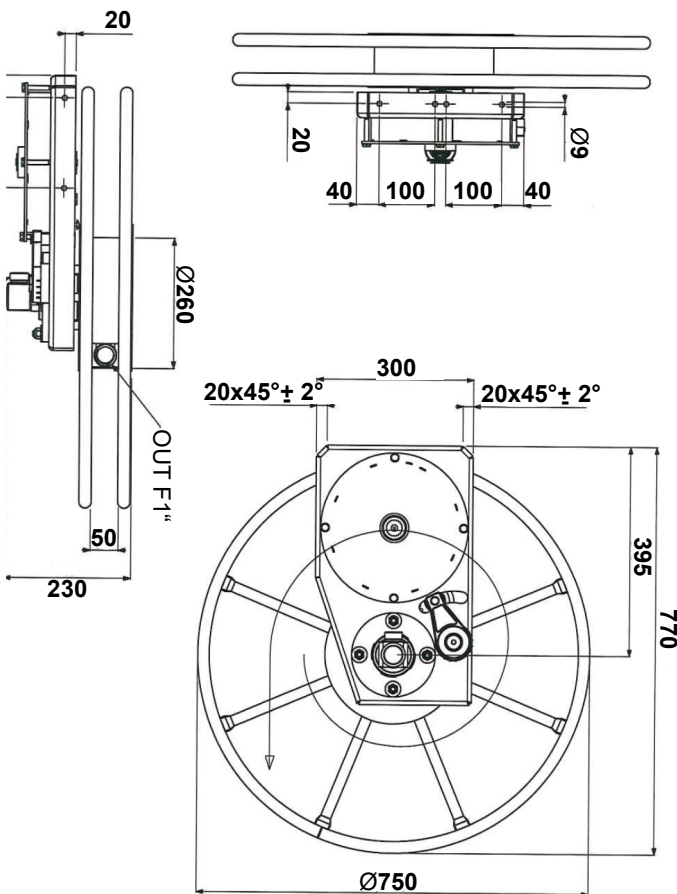




- Spring rewind mechanism with chain transmission
- Casing in painted steel
- Swivel joint and axle in stainless steel
- Seal in viton
- Latching system
- Mounting bracket due to cantilever arm on one side
- Without hose, roller hose guide outlet and hose stopper

Item-No.	Designation	Medium	Length of the hose	Ø	Max. pressure	Swivel joint
2.650.000	Mono 1	water	max. 10m	25x35mm	20bar	1"F
2.670.000	Mono 2	water	max. 10m	50x63mm	20bar	2"F

Mono 1



Mono 2

