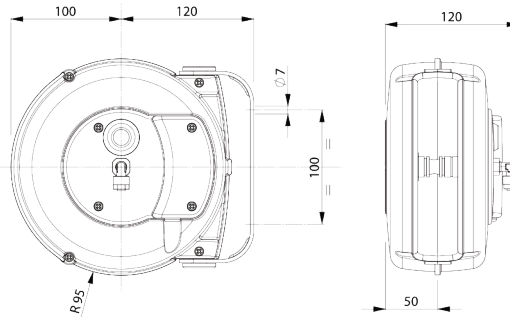


# Hose reel Mini



- Hose reel for compressed air
- Spring rewind mechanism
- Latching system
- Bend protection
- Swivel mounting bracket
- Mountable in any position
- Plastic casing, shockproof and UV-resistant



Model	hose	Inner Ø	Max. pressure	Max. Temp.	Swivel connection	Armature	Item-No.
Mini Air	6,5m PE compressed air hose with 2m connection hose	6mm	12bar	50°C	¼" M	NW7,2	1.000.801
Mini Air	3,5m PVC compressed air hose with 1.5m connection hose	8mm	12bar	50°C	¼" M	NW7,2	1.000.803

