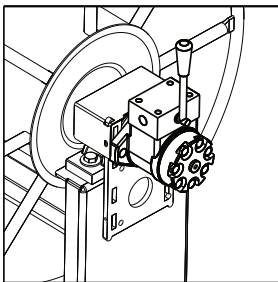


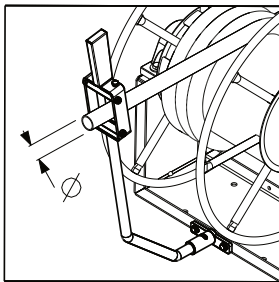
Hose reel MGLO



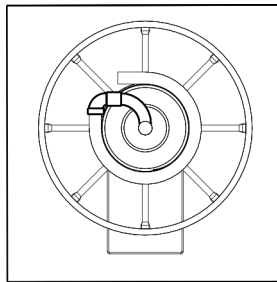
- Hydraulic motor with freewheel
- Hose extension without motor resistance
- Oil consumption approx. 9l/min.
- Speed adjustable via flow regulator on the carrier vehicle (optional accessory)
- Painted steel housing
- Axle with ball bearings
- Steel swivel joint
- Fixed mounting bracket
- Without hose



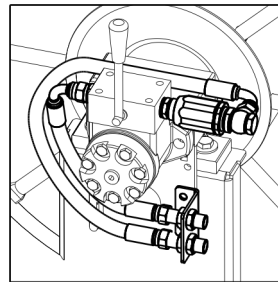
Hydraulic motor "O" with neutral gear 100 cc



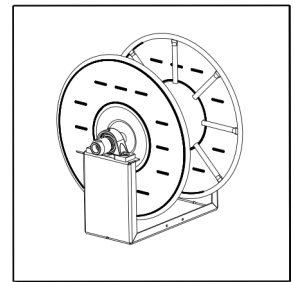
Manual Hose guide (optional)



Smart connection to avoid hose collapse

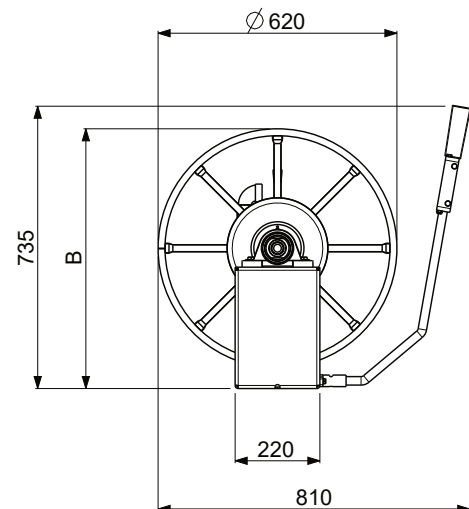
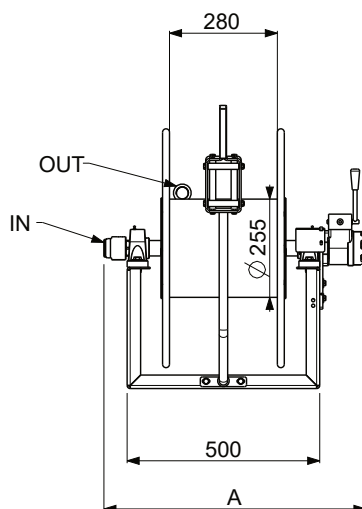
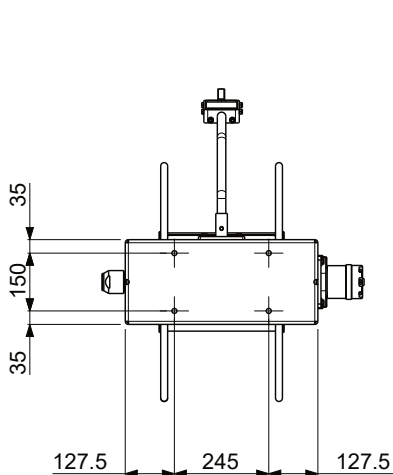


Speed control kit „O“ (optional)



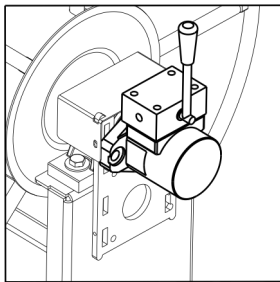
Disk protection (optional)

Item-No.	Designation	Medium	Max. length of the hose	Max. Ø	Max. pressure	Max. temp.	A	B	kg
2.980.000	MGLO 100	water	80m	19mm	250bar	90°C	680	675	43
2.980.010	MGLO 200	water	50m	25mm	250bar	90°C	680	675	43

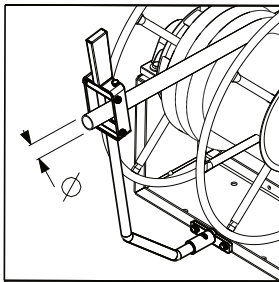


Hose reel MGLO

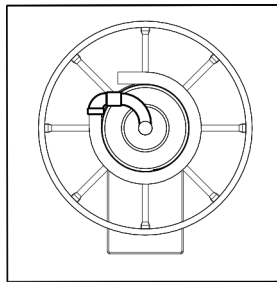
Item-No.	Designation	Medium	Max. length of the hose	Max. Ø	Max. pressure	Max. temp.	A	B	kg
2.980.040	MGLO 500	water	100m	25mm	250bar	90°C	780	805	50
2.980.050	MGLO 600	water	40m	38mm	200bar	60°C	800	820	54



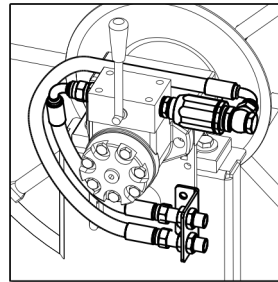
Hydraulic motor "O" with neutral gear 100 cc



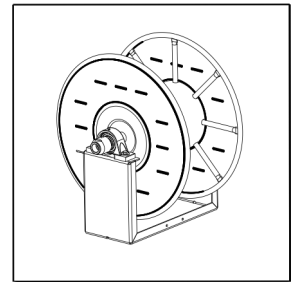
Manual Hose guide (optional)



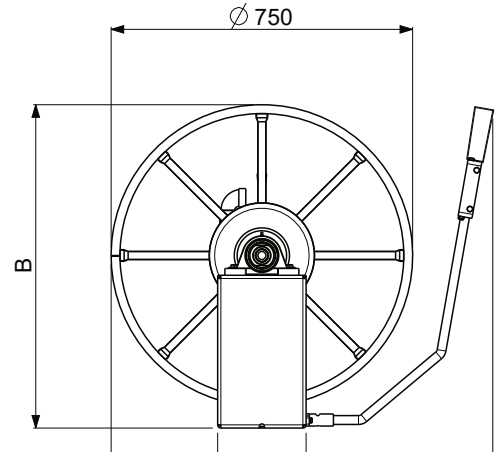
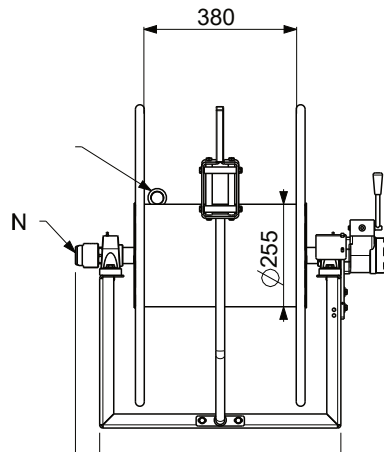
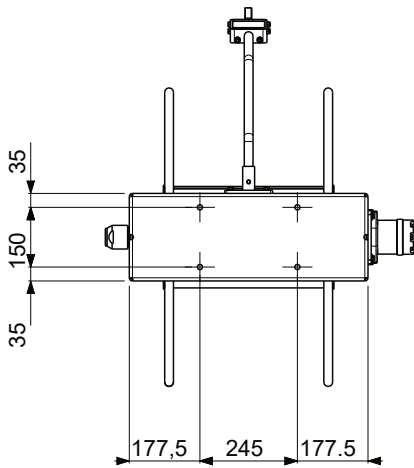
Smart connection to avoid hose collaps



Speed control kit „O“ (optional)

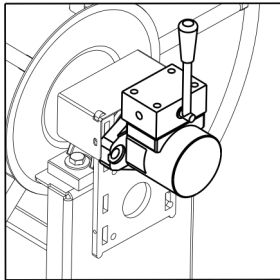


Disk protection (optional)

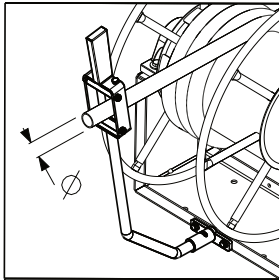


Hose reel MGLO

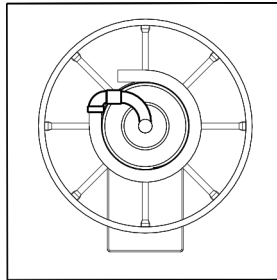
Item-No.	Designation	Medium	Max. length of the hose	Max. Ø	Max. pressure	Max. temp.	A	A1	A2	A3	kg
2.980.060	MGLO 700	water	30m	50mm	20bar	60°C	755	425	600	520	48
2.980.070	MGLO 800	water	25m	50mm	20bar	60°C	655	325	500	420	46



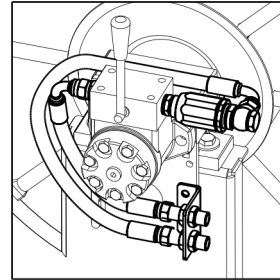
Hydraulic motor "O" with neutral gear 100 cc



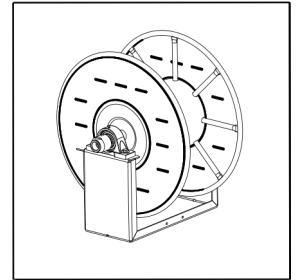
Manual Hose guide (optional)



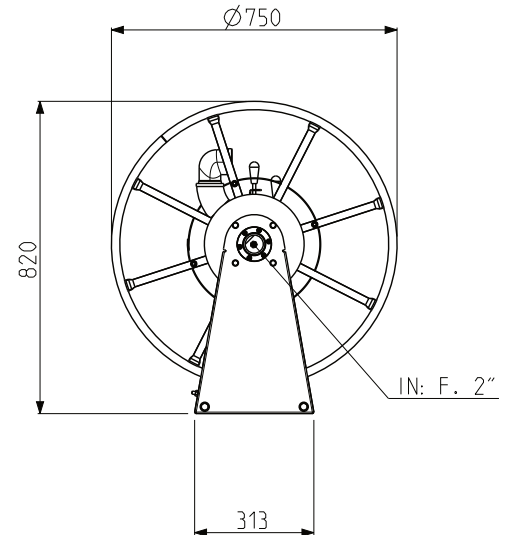
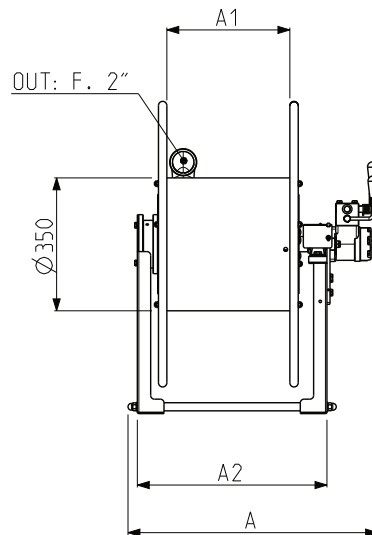
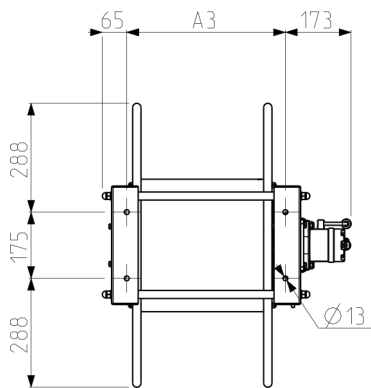
Smart connection to avoid hose collaps



Speed control kit „O“ (optional)

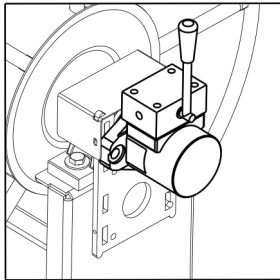


Disk protection (optional)

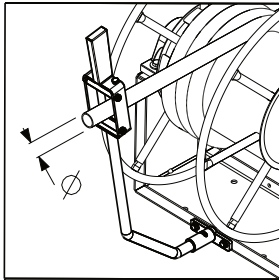


Hose reel MGLO

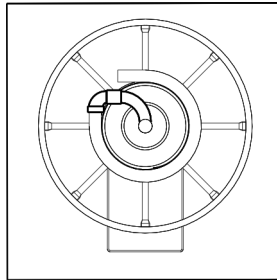
Item-No.	Designation	Medium	Max. length of the hose	Max. Ø	Max. pressure	Max. temp.	A	A1	A2	A3	kg
2.980.095	MGLO 1100	water	18m	50mm	20bar	60°C	755	425	600	518	48



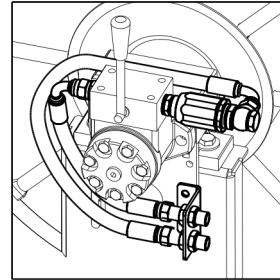
Hydraulic motor "O" with neutral gear 100 cc



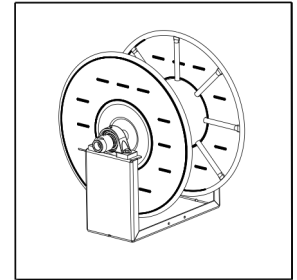
Manual Hose guide (optional)



Smart connection to avoid hose collaps



Speed control kit „O“ (optional)



Disk protection (optional)

