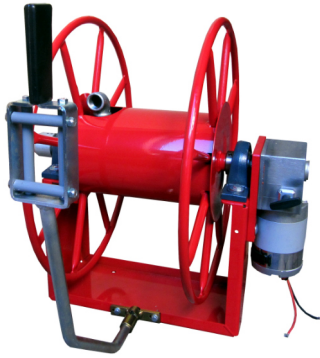
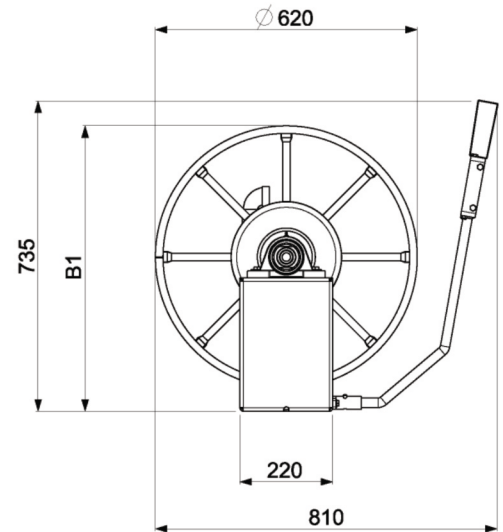
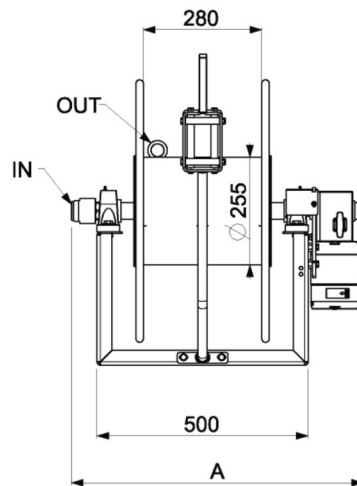
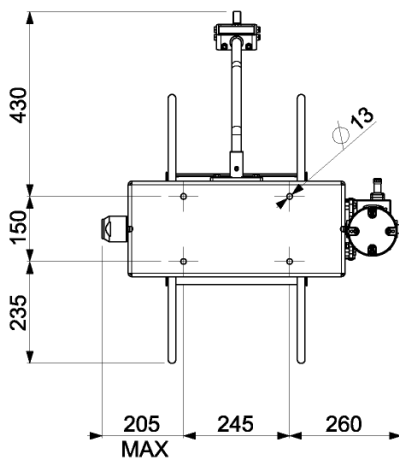


# Hose reel MGLE S



- Electric motor 24V with manual engageable clutch
- Control box with emergency stop switch
- Interchangeable battery and charger
- Casing in painted steel
- Axle with ball bearings
- Fixed mounting bracket
- Without hose

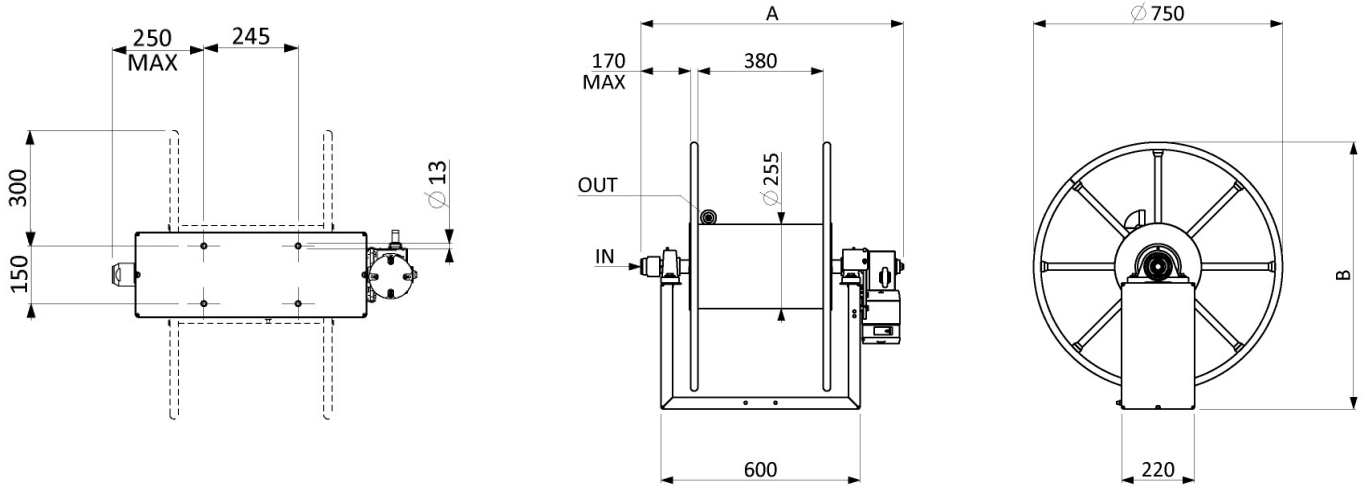
Item-No.	Designation	Medium	Max. length of the hose	Max. Ø	Max. pressure	Max. temp.	Motor
2.750.210	MGLE 224S	Water Pesticides High pressure Diesel Oil	50m	25mm	250bar	90°C	24V, 30u/min, 400W - 20A
2.750.280	MGLE 924S		20m	38mm	200bar	60°C	



Item-No.	A	B	kg
2.750.210	750	675	40
2.750.280	750	675	40

# Hose reel MGLE S

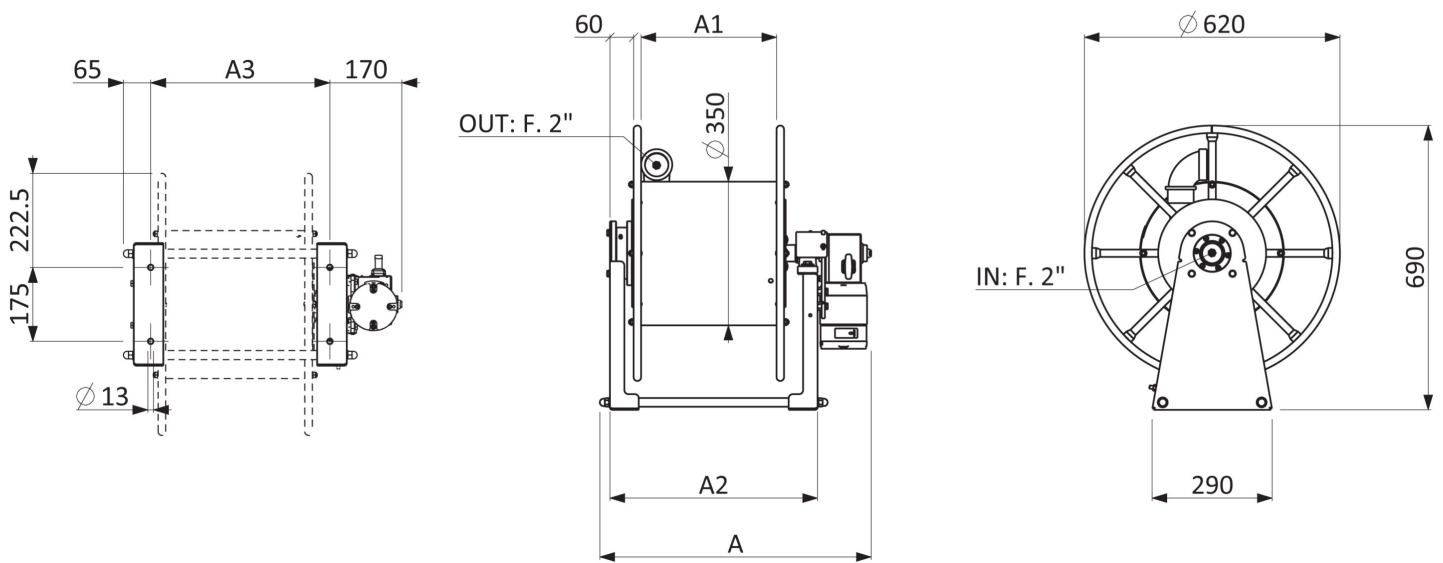
Item-No.	Designation	Medium	Max. length of the hose	Max. Ø	Max. pressure	Max. temp.	Motor
2.750.240	MGLE 524S	Water Pesticides High pressure Diesel Oil	100m	25mm	250bar	90°C	24V, 30u/min 400W - 20A
2.750.250	MGLE 624S		40m	38mm	200bar	60°C	



Item-No.	A	B	kg
2.750.240	850	805	47
2.750.250	870	820	51

# Hose reel MGLE S

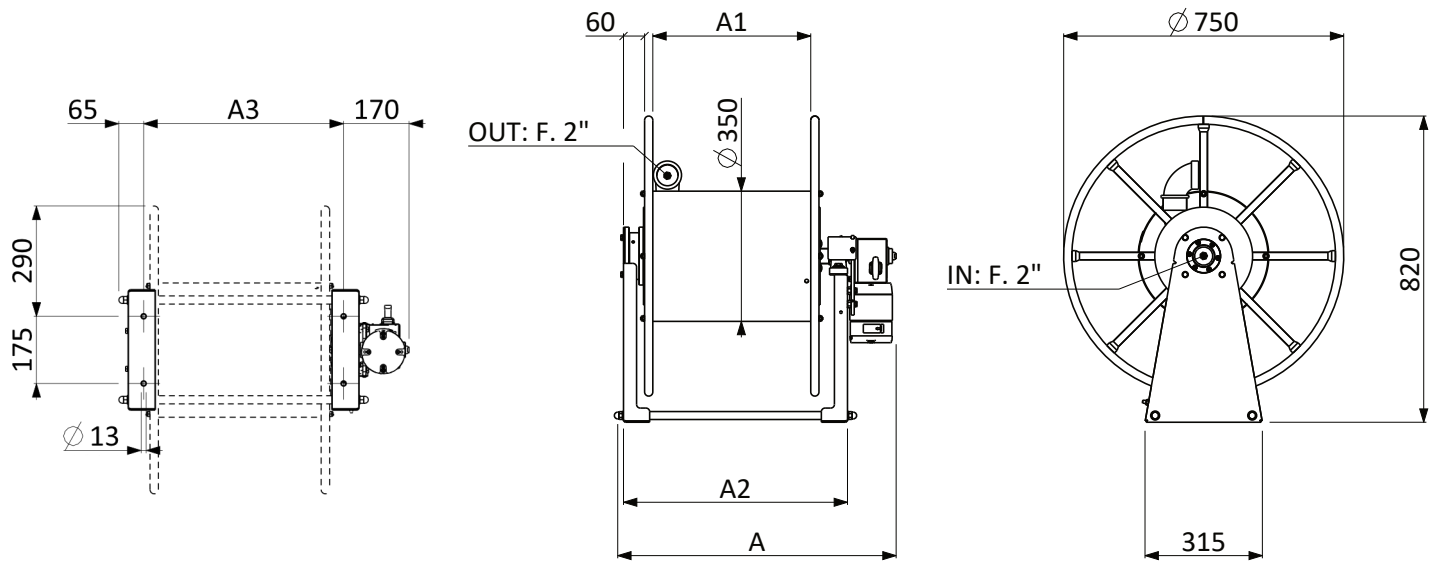
Item-No.	Designation	Medium	Max. length of the hose	Max. Ø	Max. pressure	Max. temp.	Motor
2.750.295	MGLE 1124S	Water Pesticides High pressure Diesel Oil	18m	50mm	20bar	60°C	24V, 30u/min 400W - 20A



Item-No.	A	A1	A2	A3	kg
2.750.295	815	425	600	520	47

# Hose reel MGLE S

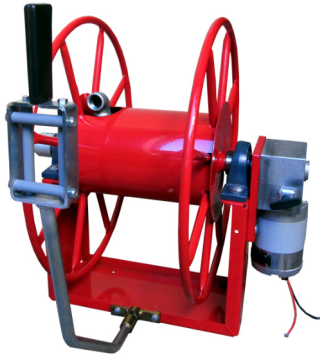
Item-No.	Designation	Medium	Max. length of the hose	Max. Ø	Max. pressure	Max. temp.	Motor
2.750.260	MGLE 712S	Water Pesticides High pressure Diesel Oil	30m	50mm	20bar	60°C	24V, 30u/min 400W - 20A
2.750.270	MGLE 812S		25m	50mm	20bar	60°C	



Item-No.	A	A1	A2	A3	kg
2.750.260	815	425	600	520	49
2.750.270	715	325	500	420	47

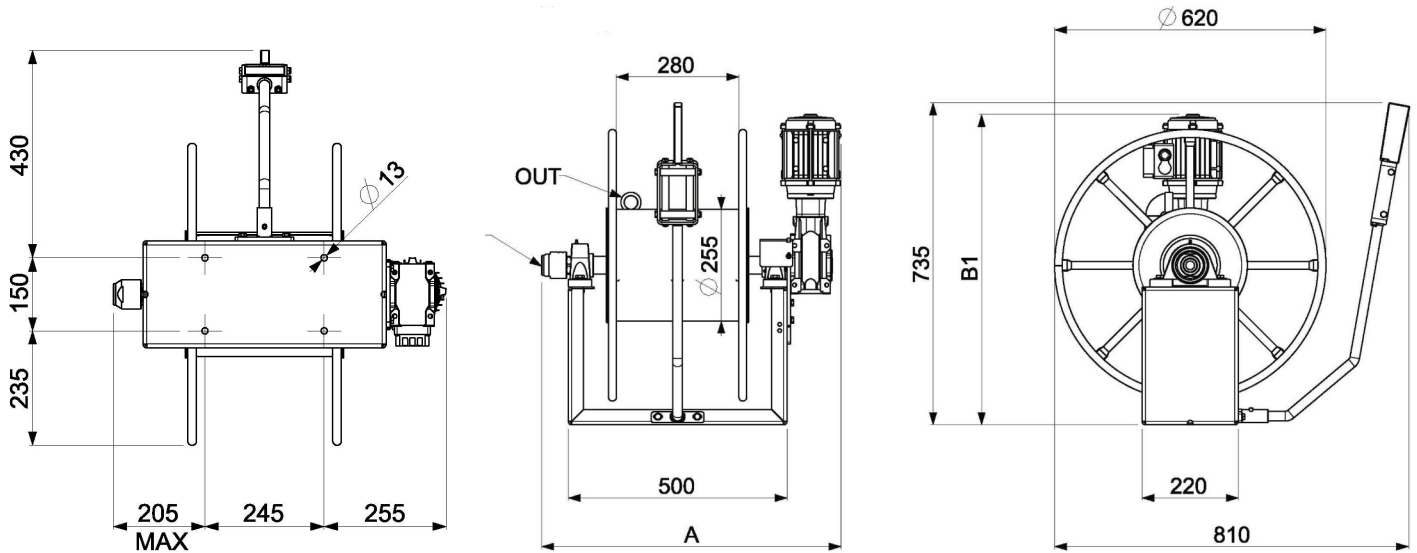


# Hose reel MGLE S



- Electric motor 230/400V with automatic freewheel
- Control box with emergency stop switch
- Casing in painted steel
- Axle with ball bearings
- Swivel joint in brass
- Fixed mounting bracket
- Without hose

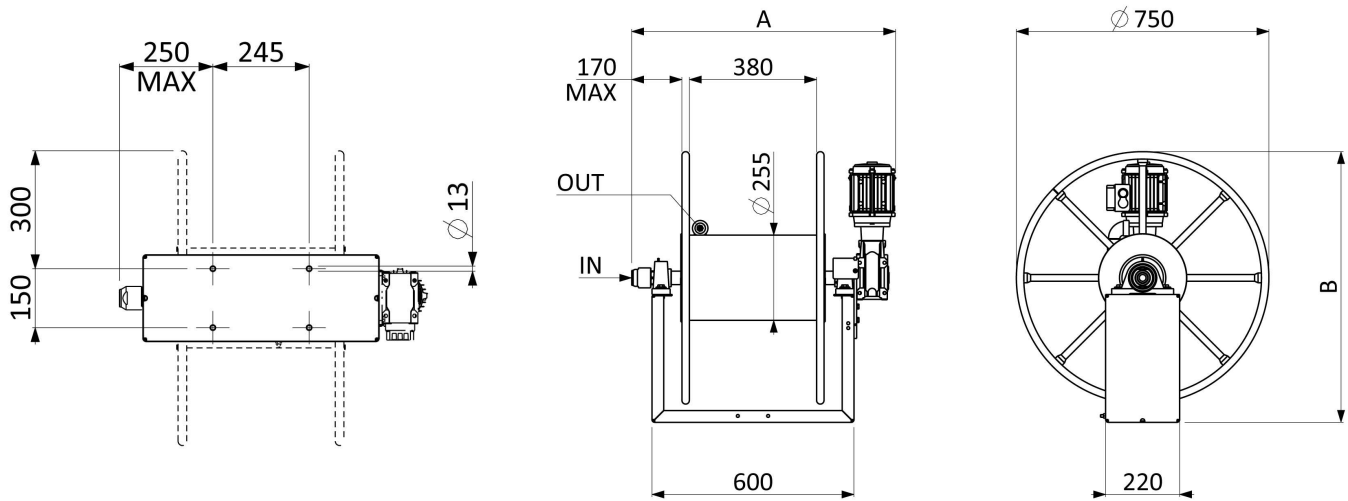
Item-No.	Designation	Medium	Max. length of the hose	Max. Ø	Max. pressure	Max. temp.	Motor
2.780.210	MGLE 240S	Water Pesticides High pressure	50m	25mm	250bar	90°C	230V/400V, 27U/min 2,85A/1,6A-550W
2.780.280	MGLE 940S	Diesel Oil	20m	38mm	200bar	60°C	



Item-No.	A	B	kg
2.780.210	765	675	59
2.780.280	785	690	63

# Hose reel MGLE S

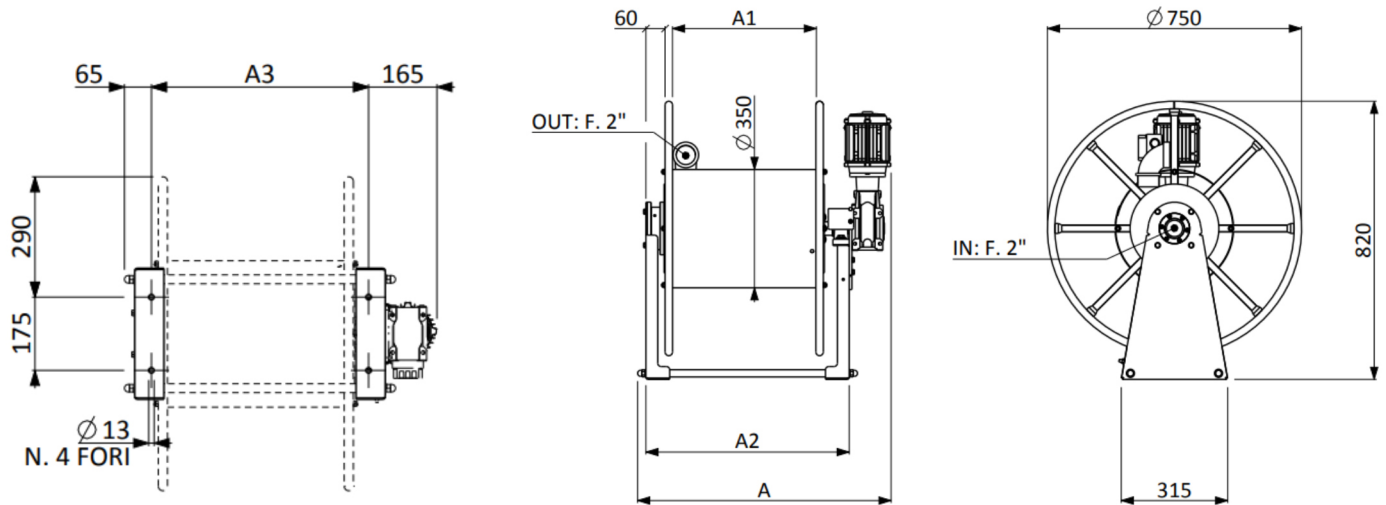
Item-No.	Designation	Medium	Max. length of the hose	Max. Ø	Max. pressure	Max. temp.	Motor
2.780.240	MGLE 940S	Water Pesticides High pressure Diesel Oil	100m	25mm	250bar	90°C	230V/400V, 27U/min 2,85A/1,6A-550W
2.780.250	MGLE 1040S		40m	38mm	250bar	90°C	



Item-No.	A	B	kg
2.780.240	865	805	66
2.780.250	885	820	70

# Hose reel MGLE S

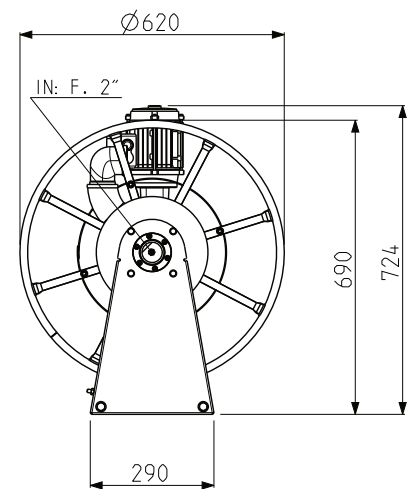
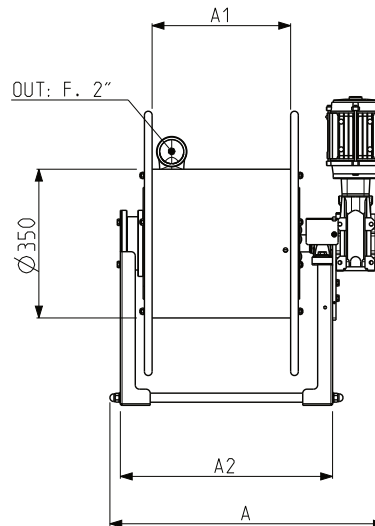
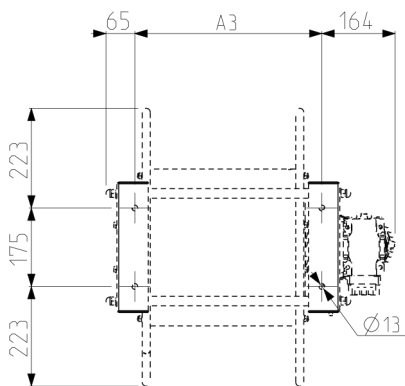
Item-No.	Designation	Medium	Max. length of the hose	Max. Ø	Max. pressure	Max. temp.	Motor
2.780.260	MGLE 740S	Water Pesticides High pressure Diesel Oil	30m	50mm	60bar	20°C	230V/400V, 27U/min 2,85A/1,6A-550W
2.780.270	MGLE 840S		25m	50mm	60bar	20°C	



Item-No.	A	A1	A2	A3	kg
2.780.260	830	425	600	520	53
2.780.270	730	325	500	420	51

# Hose reel MGLE S

Item-No.	Designation	Medium	Max. length of the hose	Max. Ø	Max. pressure	Max. temp.	Motor
2.780.295	MGLE 1140S	Water Pesticides High pressure Diesel Oil	18m	50mm	60bar	20°C	230V/400V, 27U/min 2,85A/1,6A-550W



Item-No.	A	A1	A2	A3	kg
2.780.295	835	425	600	518	51

