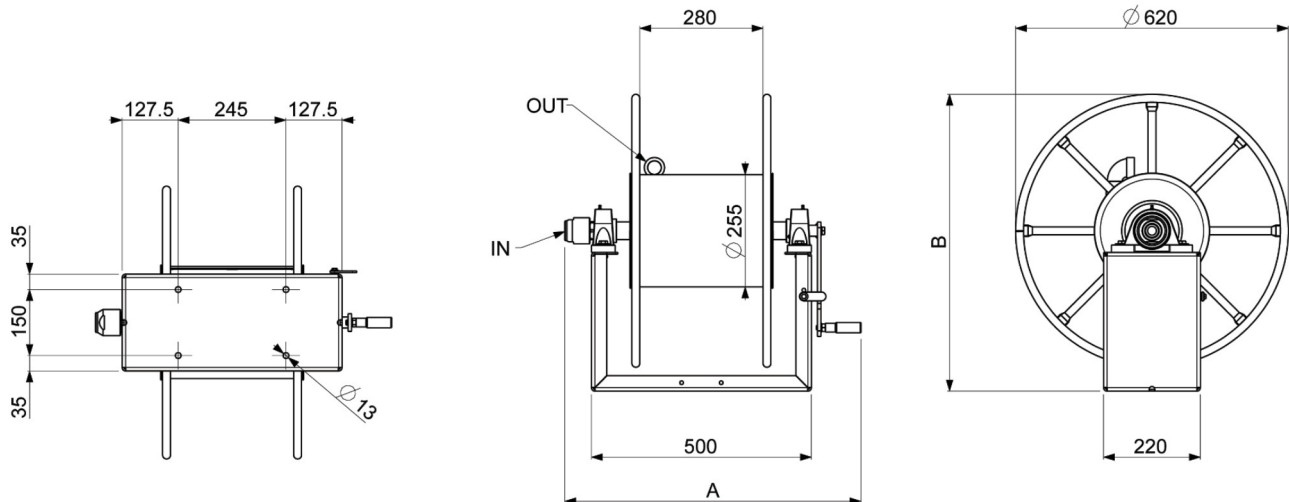


Hose reel MGL

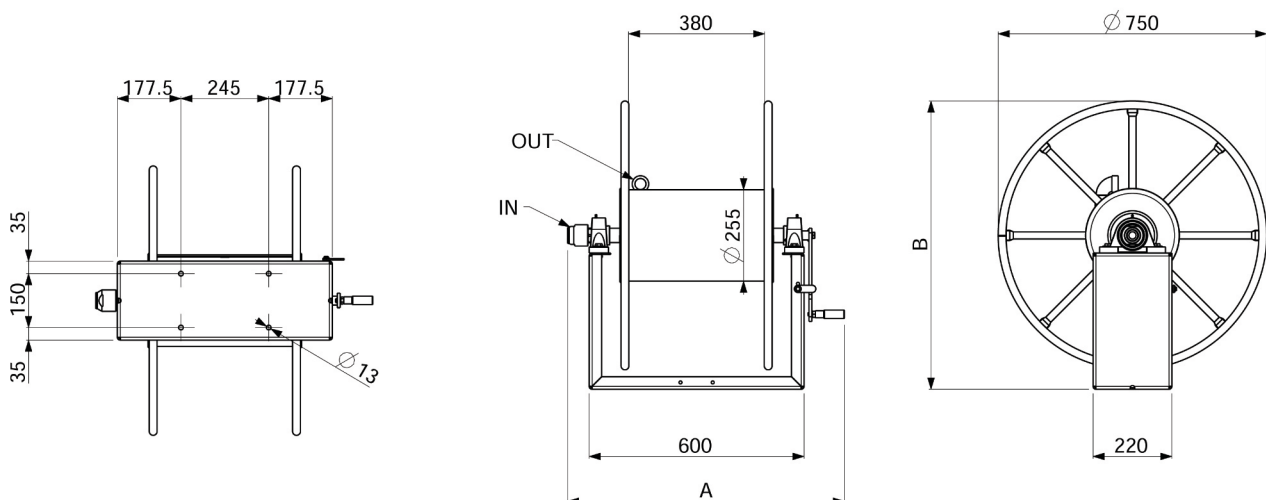


- Manual operation
- Hand crank can be fixed
- Painted steel housing
- Axle ball bearing mounted
- Fixed mounting bracket
- Parking brake
- Without hose

Item-No.	Designation	Medium	Max. length of the hose	Max. Ø	Max. pressure	Max. temp.	A	B	kg
2.940.010	MGL 200	water	50m	25mm	250bar	90°C	670	675	31
2.940.080	MGL 900	water	20m	38mm	200bar	60°C	685	690	36



Item-No.	Designation	Medium	Max. length of the hose	Max. Ø	Max. pressure	Max. temp.	A	B	kg
2.940.040	MGL 500	water	100m	25mm	250bar	90°C	775	805	39
2.940.050	MGL 600	water	40m	38mm	200bar	60°C	785	820	43

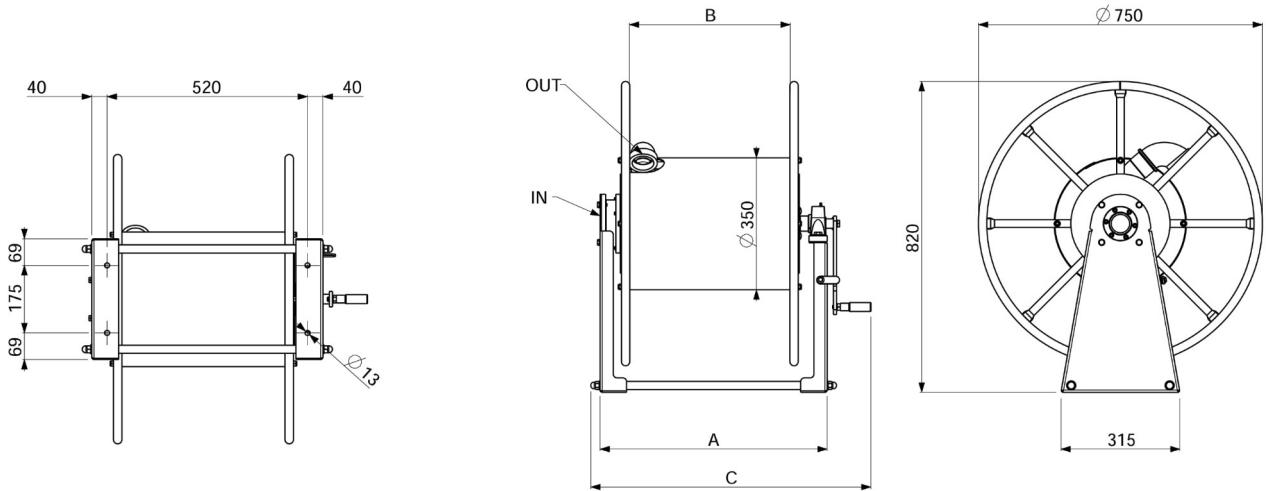


Hose reel MGL

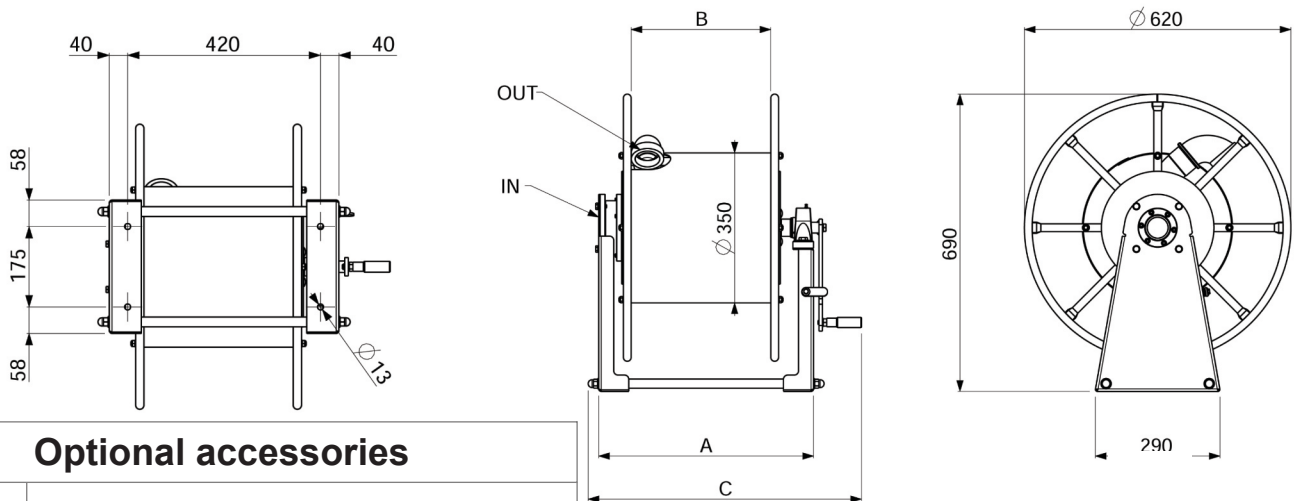
EBINGER

Technisches Equipment

Item-No.	Designation	Medium	Max. length of the hose	Max. Ø	Max. pressure	Max. temp.	A	B	C	kg
2.940.060	MGL 700	water	30m	50mm	20bar	60°C	600	425	740	36
2.940.070	MGL 800	water	25m	50mm	20bar	60°C	500	325	640	34



Item-No.	Designation	Medium	Max. length of the hose	Max. Ø	Max. pressure	Max. temp.	A	B	C	kg
2.940.095	MGL 1100	water	18m	50mm	20bar	60°C	600	425	740	34



Optional accessories

Item-No..	Designation
130.009	Roller hose guide outlet with handle for MGL 500
130.019	Roller hose guide outlet with handle for MGL 200
130.028	Roller hose guide outlet with handle for MGL 600
130.034	Roller hose guide outlet with handle for MGL 900
130.010	Hose trolley SW 10 for MGL

EBINGER
Technisches Equipment

Ebinger GmbH
Edesheimer Straße 51
D-76835 Rhodt /
Germany

Fon +49 (0)6323-937 465-0
Fax +49 (0)6323-937 465-20

info@ebinger-gmbh.com
www.ebinger-gmbh.com

