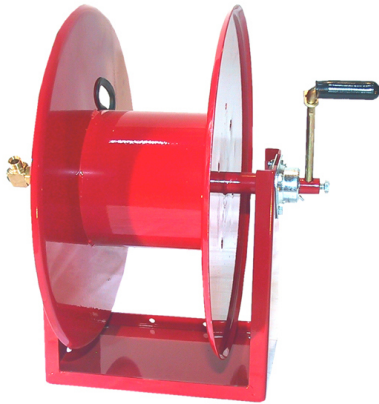
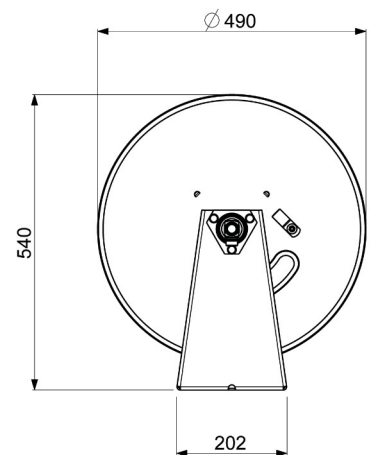
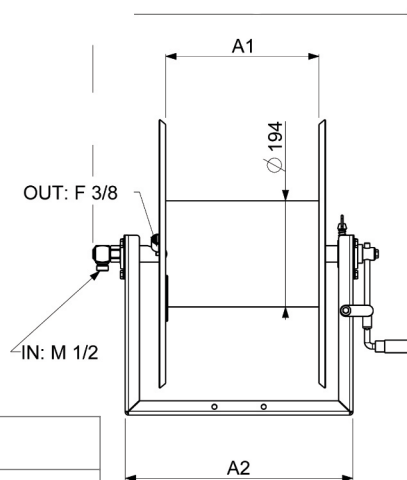
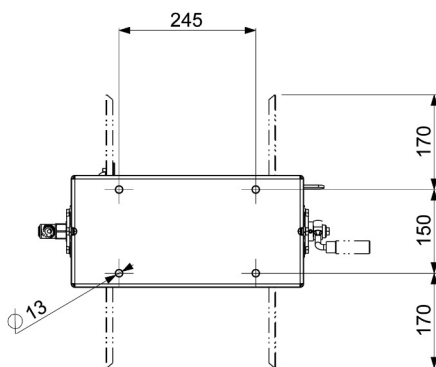


# Hose reel MG



- Manual operation with hand crank
- Transport fixation
- Adjustable return brake
- Without hose
- Axle with ball bearings
- Fixed mounting bracket
- Painted steel

Item-No.	Designation	Medium	Max. length of the hose	Max. Ø	Max. pressure	Max. temp.	swivel
2.910.000	MG 100	water pesticides high pressure	70m 50m	10mm 12,5mm	250bar	90°C	brass
2.910.010	MG 200	water pesticides high pressure	110m 80m	10mm 12,5mm	250bar	90°C	brass
2.910.020	MG 300	water pesticides high pressure	160m 110m	10mm 12,5mm	250bar	90°C	brass
2.910.030	MG 400	water pesticides high pressure	200m 150m	10mm 12,5mm	250bar	90°C	brass



## Optional accessories

Item-No.	Description
130.006	Roller window with handle for MG, MGO, MGE
130.364	50m - 10mm ID PVC crop protection hose, max. 40 bar, connection 1/2" F
ASET0001	Connection set for washer hose 22x1.5 M
ASET0002	Connection set for washer hose 21x1.5 M

Item-No.	A	A1	A2	kg
2.910.000	495	180	320	17
2.910.010	595	280	420	20
2.910.020	695	380	520	23
2.910.030	795	480	620	26

