



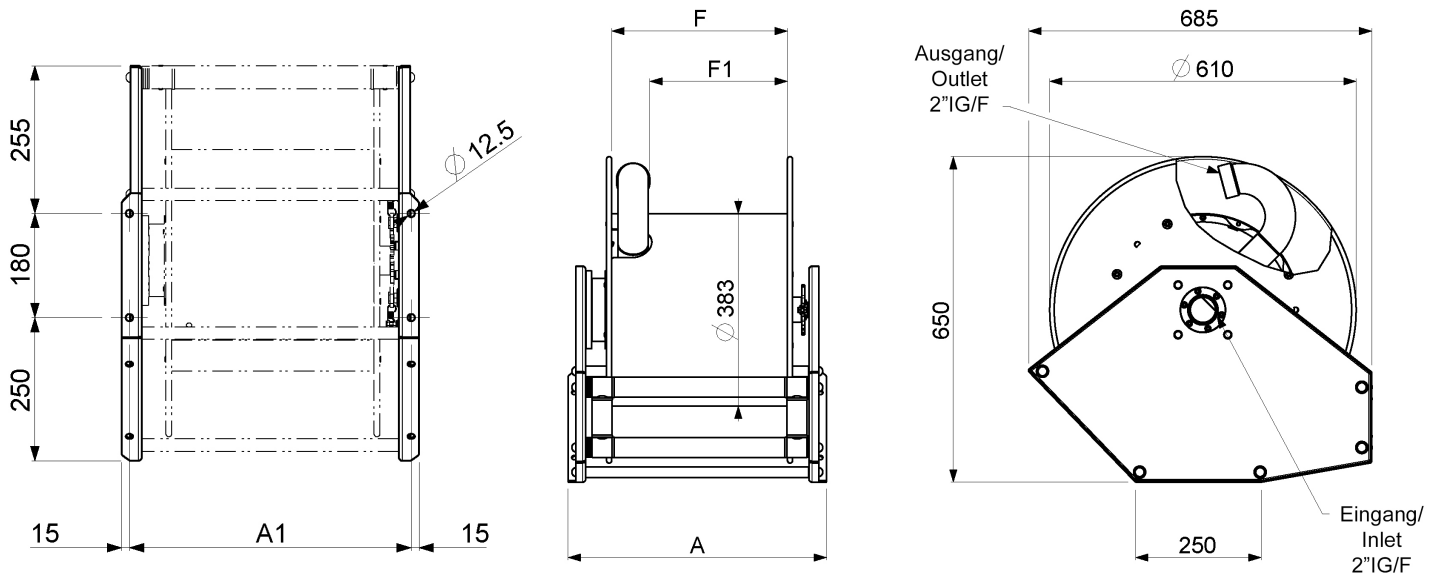
- Spring rewind mechanism
- Latching system
- Casing in painted steel or stainless steel
- Fixed mounting bracket
- Tractive force up to 35kg
- Without hose and hose stopper

Item-No.	Designation	Medium	Max. length of the hose	Max. Ø	Max. pressure	Max. temp.	Swivel joint	Axle	casing
2.600.050	ASR 50	water	7m 10m	50mm 38mm	20bar	90°	2" F steel zincd	painted steel	painted steel
2.600.100	ASR 100	water	10m 15m	50mm 38mm	20bar	90°	2" F steel zincd	painted steel	painted steel
2.600.200	ASR 200	water	15m 20m	50mm 38mm	20bar	90°	2" F steel zincd	painted steel	painted steel
2.600.300	ASR 300	water	20m 25m	50mm 38mm	20bar	90°	2" F steel zincd	painted steel	painted steel
2.600.400	ASR 400	water	25m 30m	50mm 38mm	20bar	90°	2" F steel zincd	painted steel	painted steel
2.602.050	ASR 50	water	7m 10m	50mm 38mm	20bar	90°	2" F stainless steel	stainless steel	painted steel
2.602.100	ASR 100	water	10m 15m	50mm 38mm	20bar	90°	2" F stainless steel	stainless steel	painted steel
2.602.200	ASR 200	water	15m 20m	50mm 38mm	20bar	90°	2" F stainless steel	stainless steel	painted steel
2.602.300	ASR 300	water	20m 25m	50mm 38mm	20bar	90°	2" F stainless steel	stainless steel	painted steel
2.602.400	ASR 400	water	25m 30m	50mm 38mm	20bar	90°	2" F stainless steel	stainless steel	painted steel
2.604.050	ASR 50	water	7m 10m	50mm 38mm	20bar	90°	2" F stainless steel	stainless steel	stainless steel
2.604.100	ASR 100	water	10m 15m	50mm 38mm	20bar	90°	2" F stainless steel	stainless steel	stainless steel
2.604.200	ASR 200	water	15m 20m	50mm 38mm	20bar	90°	2" F stainless steel	stainless steel	stainless steel
2.604.300	ASR 300	water	20m 25m	50mm 38mm	20bar	90°	2" F stainless steel	stainless steel	stainless steel
2.604.400	ASR 400	water	25m 30m	50mm 38mm	20bar	90°	2" F stainless steel	stainless steel	stainless steel

# Hose reel ASR

**EBINGER**

Technisches Equipment



Item-No.	Item-No.	Item-No.	A	A1	F	F1	kg
2.600.050	2.602.050	2.604.050	415	388	250	170	47
2.600.100	2.602.100	2.604.100	515	488	350	270	50
2.600.200	2.602.200	2.604.200	625	598	460	380	56
2.600.300	2.602.300	2.604.300	715	688	550	470	68
2.600.400	2.602.400	2.604.400	715	748	610	530	70

