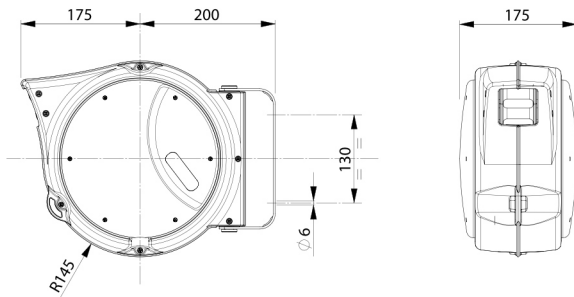


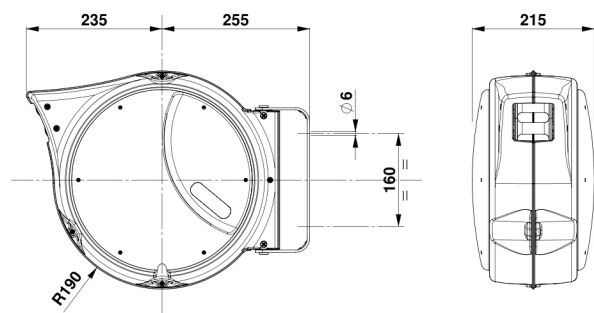


- Hose reel for compressed air
- Spring rewind mechanism
- Latching system
- With 1.5m connection hose
- Swivel mounting bracket
- Mountable in any position
- Plastic casing, shockproof and UV-resistant

## AML 100



## AML 200



Model	hose	Inner Ø	Max. pressure	Max. Temp.	Swivel connection	Armature	Item-No.
AML 100	16m PU compressed air hose	8mm	15bar	40°C	¼" M	NW7,2	1.000.820
AML 200	10m PU compressed air hose	10mm	15bar	40°C	⅜" M	NW7,2	1.000.821

