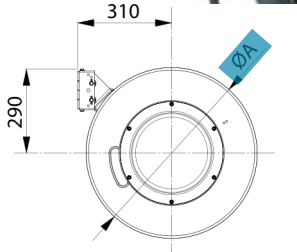


# Kabelaufroller IE 1700

# EBINGER

Technisches Equipment

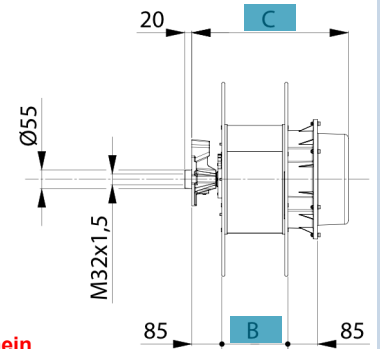
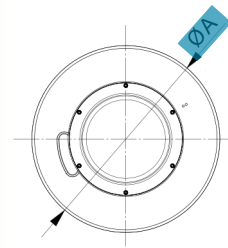
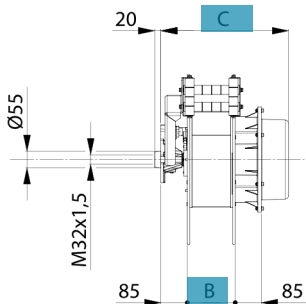
Typ 1



- Federrückzug
- Max. 55m Kabel
- Stahlgehäuse
- Seitlicher Montageflansch
- In jeder Position montierbar
- Schutzart IP65
- Schleifring-Trennspannung 2,5KV
- Schleifring in Industrieausführung
- Max. Aufrollgeschwindigkeit 30m/min



Typ 2



X = optional X = integriert X = nein

Leiter	Kabelquer-schnitt	Kabellänge	Max. Watt auf-gerollt	Max. KW aus-gerollt	Max. Volt	Kabeltyp	Schleif-ring	Typ	Optionales Zubehör, Artikel-Nr. 2.580.						Artikel-Nr. mit Kabel	Artikel-Nr. ohne Kabel	Maße		
									701	703	704	706	707	708			A	B	C
1	16mm <sup>2</sup>	32m	-	-	-	H05V-F	60A	1	X	X	X	X	X	X	2.582.711	-	440	160	365
1	25mm <sup>2</sup>	32m	-	-	-	H05V-F	100A	1	X	X	X	X	X	X	2.582.712	-	440	160	365
3	2,5mm <sup>2</sup>	30m	2,0	3,0	230V	H05VV-F	32A	1	X	X	X	X	X	X	2.582.717	2.580.717	440	160	365
3	2,5mm <sup>2</sup>	41m	2,0	3,0	230V	H05VV-F	32A	1	X	X	X	X	X	X	2.582.718	2.580.718	440	160	365
4	2,5mm <sup>2</sup>	31m	7,0	1,0	400V+3F+T	H05VV-F	32A	1	X	X	X	X	X	X	2.582.722	2.580.722	440	160	365
4	2,5mm <sup>2</sup>	41m	6,0	8,5	400V+3F+T	H05VV-F	32A	1	X	X	X	X	X	X	2.582.723	2.580.723	440	160	365
4	2,5mm <sup>2</sup>	55m	6,0	8,5	400V+3F+T	H05VV-F	32A	2	X	X	X	X	X	X	2.582.724	2.580.724	440	190	395
4	4mm <sup>2</sup>	22m	11,0	15,0	400V+3F+T	H05VV-F	32A	1	X	X	X	X	X	X	2.582.726	2.580.726	440	160	365
4	4mm <sup>2</sup>	22m	11,0	15,0	400V+3F+T	H05VV-F	60A	1	X	X	X	X	X	X	2.582.727	2.580.727	440	160	410
4	4mm <sup>2</sup>	26m	11,0	15,0	400V+3F+T	H05VV-F	32A	1	X	X	X	X	X	X	2.582.728	2.580.728	440	160	365
4	4mm <sup>2</sup>	26m	11,0	15,0	400V+3F+T	H05VV-F	60A	1	X	X	X	X	X	X	2.582.729	2.580.729	440	160	410
4	4mm <sup>2</sup>	31m	11,0	15,0	400V+3F+T	H05VV-F	32A	1	X	X	X	X	X	X	2.582.730	2.580.730	440	160	365
4	4mm <sup>2</sup>	31m	11,0	15,0	400V+3F+T	H05VV-F	60A	1	X	X	X	X	X	X	2.582.731	2.580.731	440	160	410
4	4mm <sup>2</sup>	45m	10,0	13,5	400V+3F+T	H05VV-F	32A	2	X	X	X	X	X	X	2.582.732	2.580.732	550	190	395
4	4mm <sup>2</sup>	45m	10,0	13,5	400V+3F+T	H05VV-F	60A	2	X	X	X	X	X	X	2.582.733	2.580.733	550	190	440
4	6mm <sup>2</sup>	17m	17,0	22,0	400V+3F+T	H05VV-F	60A	1	X	X	X	X	X	X	2.582.735	2.580.735	440	160	410
4	6mm <sup>2</sup>	17m	17,0	22,0	400V+3F+T	H05VV-F	100A	1	X	X	X	X	X	X	2.582.736	2.580.736	440	160	410
4	6mm <sup>2</sup>	26m	17,0	22,0	400V+3F+T	H05VV-F	60A	1	X	X	X	X	X	X	2.582.737	2.580.737	550	160	410
4	6mm <sup>2</sup>	26m	17,0	22,0	400V+3F+T	H05VV-F	100A	1	X	X	X	X	X	X	2.582.738	2.580.738	550	160	410

# Kabelaufroller IE 1700

# EBINGER

Technisches Equipment

Leiter	Kabelquer-schnitt	Kabellänge	Max. Watt auf-gerollt	Max. Watt aus-gerollt	Max. Volt	Kabeltyp	Schleif-ring	Typ	Optionales Zubehör, Artikel-Nr. 2.580.						Artikel-Nr. mit Kabel	Artikel-Nr. ohne Kabel	Maße		
									701	703	704	706	707	708			A	B	C
4	6mm <sup>2</sup>	40m	17,0	22,0	400V+3F+T	H05VV-F	60A	2	X	X	X	X	X	X	2.582.739	2.580.739	550	190	440
4	6mm <sup>2</sup>	40m	17,0	22,0	400V+3F+T	H05VV-F	100A	2	X	X	X	X	X	X	2.582.740	2.580.740	550	190	440
4	10mm <sup>2</sup>	16m	25,0	30,0	400V+3F+T	H05VV-F	60A	2	X	X	X	X	X	X	2.582.742	2.580.742	550	160	410
4	10mm <sup>2</sup>	16m	25,0	30,0	400V+3F+T	H05VV-F	100A	2	X	X	X	X	X	X	2.582.743	2.580.743	550	160	410
4	10mm <sup>2</sup>	25m	25,0	30,0	400V+3F+T	H05VV-F	60A	2	X	X	X	X	X	X	2.582.744	2.580.744	550	190	440
4	10mm <sup>2</sup>	25m	25,0	30,0	400V+3F+T	H05VV-F	100A	2	X	X	X	X	X	X	2.582.745	2.580.745	550	160	410
4	10mm <sup>2</sup>	40m	25,0	30,0	400V+3F+T	H05VV-F	60A	2	X	X	X	X	X	X	2.582.746	2.580.746	650	190	440
4	10mm <sup>2</sup>	40m	25,0	30,0	400V+3F+T	H05VV-F	100A	2	X	X	X	X	X	X	2.582.747	2.580.747	650	190	440
4	16mm <sup>2</sup>	16m	35,0	40,0	400V+3F+T	H05VV-F	100A	2	X	X	X	X	X	X	2.582.749	2.580.749	550	160	410
4	16mm <sup>2</sup>	30m	35,0	40,0	400V+3F+T	H05VV-F	100A	2	X	X	X	X	X	X	2.582.750	2.580.750	650	190	440
5	2,5mm <sup>2</sup>	22m	7,0	10,0	400V+3F+T+N	H05VV-F	32A	1	X	X	X	X	X	X	2.582.752	2.580.752	440	160	365
5	2,5mm <sup>2</sup>	26m	7,0	10,0	400V+3F+T+N	H05VV-F	32A	1	X	X	X	X	X	X	2.582.753	2.580.753	440	160	365
5	2,5mm <sup>2</sup>	31m	7,0	10,0	400V+3F+T+N	H05VV-F	32A	1	X	X	X	X	X	X	2.582.754	2.580.754	440	160	365
5	2,5mm <sup>2</sup>	55m	6,0	8,5	400V+3F+T+N	H05VV-F	32A	2	X	X	X	X	X	X	2.582.755	2.580.755	550	190	395
5	6mm <sup>2</sup>	17m	17,0	22,0	400V+3F+T+N	H05VV-F	60A	1	X	X	X	X	X	X	2.582.757	2.580.757	440	160	410
5	6mm <sup>2</sup>	17m	17,0	22,0	400V+3F+T+N	H05VV-F	100A	1	X	X	X	X	X	X	2.582.758	2.580.758	440	160	410
5	6mm <sup>2</sup>	26m	17,0	22,0	400V+3F+T+N	H05VV-F	60A	1	X	X	X	X	X	X	2.582.759	2.580.759	550	160	410
5	6mm <sup>2</sup>	26m	17,0	22,0	400V+3F+T+N	H05VV-F	100A	1	X	X	X	X	X	X	2.582.760	2.580.760	550	160	410
5	6mm <sup>2</sup>	40m	17,0	22,0	400V+3F+T+N	H05VV-F	60A	2	X	X	X	X	X	X	2.582.761	2.580.761	550	190	440
5	6mm <sup>2</sup>	40m	17,0	22,0	400V+3F+T+N	H05VV-F	100A	2	X	X	X	X	X	X	2.582.762	2.580.762	550	190	440
8	1,5mm <sup>2</sup>	22m	4,5	4,5	-	H05VV-F	16A	1	X	X	X	X	X	X	2.582.764	2.580.764	440	160	410
8	1,5mm <sup>2</sup>	40m	4,5	4,5	-	H05VV-F	16A	1	X	X	X	X	X	X	2.582.765	2.580.765	550	160	410
8	2,5mm <sup>2</sup>	17m	7,5	7,5	-	H05VV-F	32A	1	X	X	X	X	X	X	2.582.766	2.580.766	440	160	410
8	2,5mm <sup>2</sup>	26m	7,5	7,5	-	H05VV-F	32A	1	X	X	X	X	X	X	2.582.767	2.580.767	550	160	410
8	2,5mm <sup>2</sup>	40m	7,5	7,5	-	H05VV-F	32A	1	X	X	X	X	X	X	2.582.768	2.580.768	550	160	410
8	2,5mm <sup>2</sup>	55m	7,5	7,5	-	H05VV-F	32A	2	X	X	X	X	X	X	2.582.769	2.580.769	550	190	440
10	1,5mm <sup>2</sup>	17m	4,5	4,5	-	H05VV-F	16A	1	X	X	X	X	X	X	2.582.771	2.580.771	440	160	410
10	1,5mm <sup>2</sup>	26m	4,5	4,5	-	H05VV-F	16A	1	X	X	X	X	X	X	2.582.772	2.580.772	550	160	410
10	1,5mm <sup>2</sup>	55m	4,5	4,5	-	H05VV-F	16A	2	X	X	X	X	X	X	2.582.773	2.580.773	550	190	440
12	1,5mm <sup>2</sup>	17m	4,5	4,5	-	CF130.15.12.UL	16A	1	X	X	X	X	X	X	2.582.775	2.580.775	440	160	480
12	1,5mm <sup>2</sup>	26m	4,5	4,5	-	CF130.15.12.UL	16A	1	X	X	X	X	X	X	2.582.776	2.580.776	550	160	480
12	1,5mm <sup>2</sup>	55m	4,5	4,5	-	CF130.15.12.UL	16A	2	X	X	X	X	X	X	2.582.777	2.580.777	550	190	510

# Kabelaufroller IE 1700

Leiter	Kabelquer-schnitt	Kabellänge	Max. Watt auf-gerollt	Max. Watt aus-gerollt	Max. Volt	Kabeltyp	Schleif-ring	Typ	Optionales Zubehör, Artikel-Nr. 2.580.						Artikel-Nr. mit Kabel	Artikel-Nr. ohne Kabel	Maße		
									701	703	704	706	707	708			A	B	C
16	1mm <sup>2</sup>	32m	3,0	3,0	-	CF130.10.18.UL	16A	2	X	X	X	X	X	X	2.582.778	2.580.778	550	190	510
16	1,5mm <sup>2</sup>	18m	4,5	4,5	-	CF130.15.18.UL	16A	2	X	X	X	X	X	X	2.582.779	2.580.779	440	160	480
16	1,5mm <sup>2</sup>	26m	4,5	4,5	-	CF130.15.18.UL	16A	2	X	X	X	X	X	X	2.582.780	2.580.780	550	160	480
16	1,5mm <sup>2</sup>	40m	4,5	4,5	-	CF130.15.18.UL	16A	2	X	X	X	X	X	X	2.582.781	2.580.781	550	190	510
16	2,5mm <sup>2</sup>	18m	7,5	7,5	-	CF5.25.18	32A	1	X	X	X	X	X	X	2.582.782	2.580.782	550	160	480
16	2,5mm <sup>2</sup>	26m	7,5	7,5	-	CF5.25.18	32A	1	X	X	X	X	X	X	2.582.783	2.580.783	550	190	510
16	2,5mm <sup>2</sup>	40m	7,5	7,5	-	CF5.25.18	32A	2	X	X	X	X	X	X	2.582.784	2.580.784	650	190	510
25	1,5mm <sup>2</sup>	16m	4,5	4,5	-	CF130.15.25.UL	16A	1	X	X	X	X	X	X	2.582.787	2.580.787	550	160	580
25	1,5mm <sup>2</sup>	25m	4,5	4,5	-	CF130.15.25.UL	16A	2	X	X	X	X	X	X	2.582.788	2.580.788	550	190	610
25	1,5mm <sup>2</sup>	40m	4,5	4,5	-	CF130.15.25.UL	16A	2	X	X	X	X	X	X	2.582.789	2.580.789	650	190	610

Leiter	Kabelquer-schnitt	Kabellänge	Max. Watt auf-gerollt	Max. Watt aus-gerollt	Max. Volt	Kabeltyp	Schleif-ring	Typ	Optionales Zubehör, Artikel-Nr. 2.580.						Artikel-Nr. mit Kabel	Artikel-Nr. ohne Kabel	Maße		
									701	703	704	706	707	708			A	B	C
3	2,5mm <sup>2</sup>	31m	2,0	3,0	230V	H07RN-F	32A	1	X	X	X	X	X	X	2.581.717	2.580.717	440	160	365
3	2,5mm <sup>2</sup>	41m	2,0	3,0	230V	H07RN-F	32A	1	X	X	X	X	X	X	2.581.718	2.580.718	440	160	365
4	2,5mm <sup>2</sup>	31m	7,0	1,0	400V+3F+T	H07RN-F	32A	1	X	X	X	X	X	X	2.581.722	2.580.722	440	160	365
4	2,5mm <sup>2</sup>	41m	6,0	8,5	400V+3F+T	H07RN-F	32A	1	X	X	X	X	X	X	2.581.723	2.580.723	550	160	365
4	2,5mm <sup>2</sup>	55m	6,0	8,5	400V+3F+T	H07RN-F	32A	2	X	X	X	X	X	X	2.581.724	2.580.724	550	190	395
4	4mm <sup>2</sup>	22m	11,0	15,0	400V+3F+T	H07RN-F	32A	1	X	X	X	X	X	X	2.581.726	2.580.726	440	160	365
4	4mm <sup>2</sup>	22m	11,0	15,0	400V+3F+T	H07RN-F	60A	1	X	X	X	X	X	X	2.581.727	2.580.727	440	160	410
4	4mm <sup>2</sup>	26m	11,0	15,0	400V+3F+T	H07RN-F	32A	1	X	X	X	X	X	X	2.581.728	2.580.728	440	160	365
4	4mm <sup>2</sup>	26m	11,0	15,0	400V+3F+T	H07RN-F	60A	1	X	X	X	X	X	X	2.581.729	2.580.729	440	160	410
4	4mm <sup>2</sup>	45m	10,0	13,5	400V+3F+T	H07RN-F	32A	2	X	X	X	X	X	X	2.581.732	2.580.732	550	190	395
4	4mm <sup>2</sup>	45m	10,0	13,5	400V+3F+T	H07RN-F	60A	2	X	X	X	X	X	X	2.581.733	2.580.733	550	190	440
4	6mm <sup>2</sup>	17m	17,0	22,0	400V+3F+T	H07RN-F	60A	1	X	X	X	X	X	X	2.581.735	2.580.735	440	160	410
4	6mm <sup>2</sup>	17m	17,0	22,0	400V+3F+T	H07RN-F	100A	1	X	X	X	X	X	X	2.581.736	2.580.736	440	160	410
4	6mm <sup>2</sup>	26m	17,0	22,0	400V+3F+T	H07RN-F	60A	1	X	X	X	X	X	X	2.581.737	2.580.737	550	160	410
4	6mm <sup>2</sup>	26m	17,0	22,0	400V+3F+T	H07RN-F	100A	1	X	X	X	X	X	X	2.581.738	2.580.738	550	160	410
4	6mm <sup>2</sup>	40m	17,0	22,0	400V+3F+T	H07RN-F	60A	2	X	X	X	X	X	X	2.581.739	2.580.739	550	190	440
4	6mm <sup>2</sup>	40m	17,0	22,0	400V+3F+T	H07RN-F	100A	2	X	X	X	X	X	X	2.581.740	2.580.740	550	190	440

Leiter	Kabelquerschnitt	Kabellänge	Max. Watt aufgerollt	Max. Watt ausgerollt	Max. Volt	Kabetyyp	Schleifring	Typ	Optionales Zubehör, Artikel-Nr. 2.580.						Artikel-Nr. mit Kabel	Artikel-Nr. ohne Kabel	Maße		
									701	703	704	706	707	708			A	B	C
5	2,5mm <sup>2</sup>	22m	7,0	10,0	400V+3F+T+N	H07RN-F	32A	1	X	X	X	X	X	X	2.581.752	2.580.752	440	160	365
5	2,5mm <sup>2</sup>	26m	7,0	10,0	400V+3F+T+N	H07RN-F	32A	1	X	X	X	X	X	X	2.581.753	2.580.753	440	160	365
5	2,5mm <sup>2</sup>	31m	7,0	10,0	400V+3F+T+N	H07RN-F	32A	1	X	X	X	X	X	X	2.581.754	2.580.754	550	160	365
5	2,5mm <sup>2</sup>	55m	6,0	8,5	400V+3F+T+N	H07RN-F	32A	2	X	X	X	X	X	X	2.581.755	2.580.755	550	190	395
5	6mm <sup>2</sup>	17m	17,0	22,0	400V+3F+T+N	H07RN-F	60A	1	X	X	X	X	X	X	2.581.757	2.580.757	440	160	410
5	6mm <sup>2</sup>	17m	17,0	22,0	400V+3F+T+N	H07RN-F	100A	1	X	X	X	X	X	X	2.581.758	2.580.758	440	160	410
5	6mm <sup>2</sup>	40m	17,0	22,0	400V+3F+T+N	H07RN-F	60A	2	X	X	X	X	X	X	2.581.761	2.580.761	550	160	410
5	6mm <sup>2</sup>	40m	17,0	22,0	400V+3F+T+N	H07RN-F	100A	2	X	X	X	X	X	X	2.581.762	2.580.762	550	190	440

Zubehör	Artikel-Nr.
 <p>Wandhalter schwenkbar</p>	2.580.701
 <p>Montagehalter fix</p>	2.580.703
 <p>Rollenführung umschlagbar (Breite 160mm)</p>	2.580.704
 <p>Rollenführung umschlagbar (Breite 190mm)</p>	2.580.708
 <p>Arm mit Rollenführ und Arretierung (Breite 145mm)</p>	2.580.707
 <p>Arm mit Rollenführ und Arretierung (Breite 115mm)</p>	2.580.706

